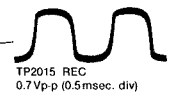
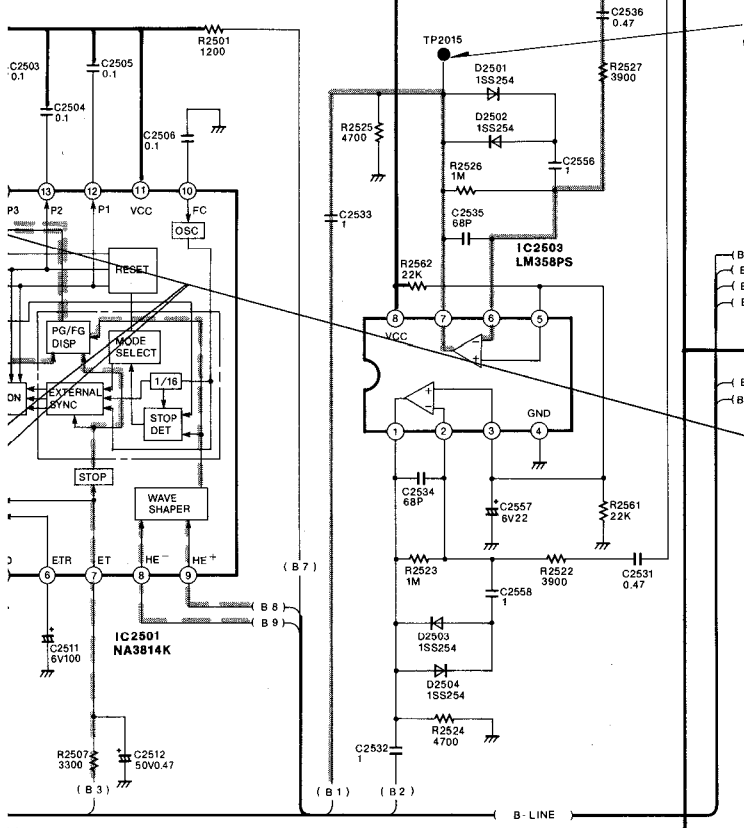
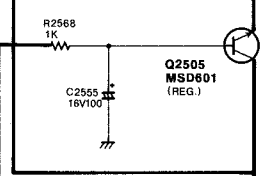


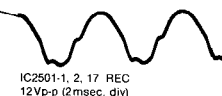
	P2501		P1507
C2	15	M3	P1507 - 1
C9	14	H1+	P1507 - 2
C10	13	FG1	P1507 - 3
C8	12	H1-	P1507 - 4
C7	11	H2+	P1507 - 5
	10	VH-	P1507 - 6
C6	9	H2-	P1507 - 7
C5	8	H3+	P1507 - 8
	7	GND (FG)	P1507 - 9
C4	6	H3-	P1507 - 10
	5	VH+	P1507 - 11
C1	4	M1	P1507 - 12
C11	3	FG2	P1507 - 13
C3	2	M2	P1507 - 14
	1	REG 12.3V	P1507 - 15

TO CAPSTAN MOTOR P1507



	P2503		P202
B10	1	M2	
B7	2	VH+	
B8	3	HE+	
B6	4	M3	
	5		
	6	GND (CYL)	
	7	VM	
	8		
B9	9	HE-	
B11	10	M1	

TO CYLINDER MOTOR P202



NOTE: DO NOT USE ANY PART NUMBER SHOWN ON

TO FULL ERASE HEAD

P4002	
FULL ERASE IN	1
FULL ERASE OUT	2

TO A/C HEAD P1501

P4003		
P1501 - 6	AE HEAD	1
P1501 - 5	GND	2
P1501 - 4	A HEAD (R)	3
P1501 - 3	A HEAD (W)	4
P1501 - 2	CTL HEAD (-)	5
P1501 - 1	CTL HEAD (+)	6

TO SYSTEM CONTROL & SERVO SECTION (C-1, E-17)

CYL HEAD (+)
CYL HEAD (-)
REEL +B
S. TAB SW ON (⊕)
D. A. REC (⊕)
A. EE (⊕)
D REC (⊕)
SOFT (⊕)
REC (⊕)
V. EE (⊕)
H AMP SW
ROTARY SW
MESECAM (⊕)
TRICK (⊕)

R3030 2200

PP3003-6 REC 0.5Vp-p (20μsec. div)

TO HEAD AMP P501 (E-1)

P3001		
P501 - 1	REC Y	10
P501 - 2	D. REC 12V	9
P501 - 3	REC C	8
P501 - 4	GND	7
P501 - 5	RF Y	6
P501 - 6	E REC 5V	5
P501 - 7	RF C	4
P501 - 8	H AMP SW	3
P501 - 9	HEAD SW	2
P501 - 10	TRACKING ENV.	1

PP3003-4 PLAY 0.4Vp-p (5msec. div)

PP3002-8 REC 5.0Vp-p (20msec. div)

PP3002-7 PLAY 0.3Vp-p (1msec. div)

PP3001-6 REC 0.1Vp-p (20μsec. div)

PP3001-5 REC/PLAY 5.0Vp-p (20μsec. div)

PP3001-4 REC/PLAY 2.0Vp-p (10msec. div)

PP3001-1 REC/PLAY 2.2Vp-p (20μsec. div)

PP3001-3 REC 1.0Vp-p (20μsec. div)

TO PS303 (E-1)

PP3003	
REC C	6
TRICK (⊕)	5
RF C	4
MESECAM (⊕)	3
REC (⊕)	2
GND	1

TO PS302 (F-1)

PP3002	
REC 5V	12
ROTARY SW	11
RF Y	10
ART V/H/N	9
V. EE (⊕)	8
GND	7
NTSC (⊕)	6
GND	5
NTSC (⊕)	4
GND	3
NTSC (⊕)	2
GND	1

TO PS301 (G-1)

PP3001	
V. NON SW 5V	9
REC Y	8
VSS	7
VIDEO IN	6
GND	5
VIDEO OUT	4
GND	3
VIDEO OUT	2
GND	1

LUMINANCE & CHROMINANCE PACK C.B.A. (VEP03975M; NV-SD10EE) (VEP03975D; NV-SD11AM)

TP3001

TL21

TL20

R3007 10K

C3030 6V47

C3026 0.1

R3027 3300

R3029 0.2

R3026 1K

R3026 2700

C3021 6V100

C3020 0.01

C3005 5.1

C3031 0.1

Q3 MS (D. RI)

Q3 MS (E. R)

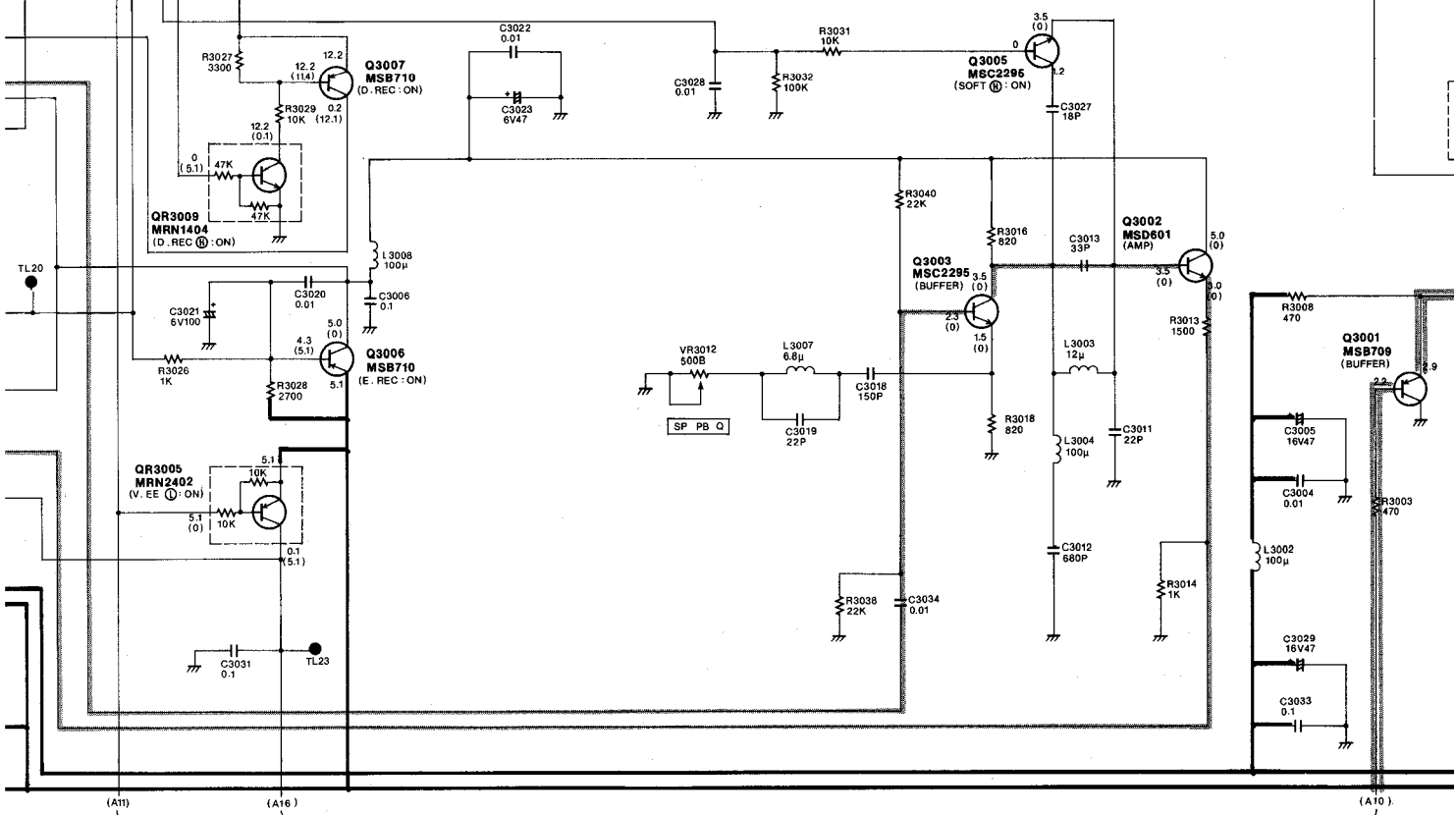
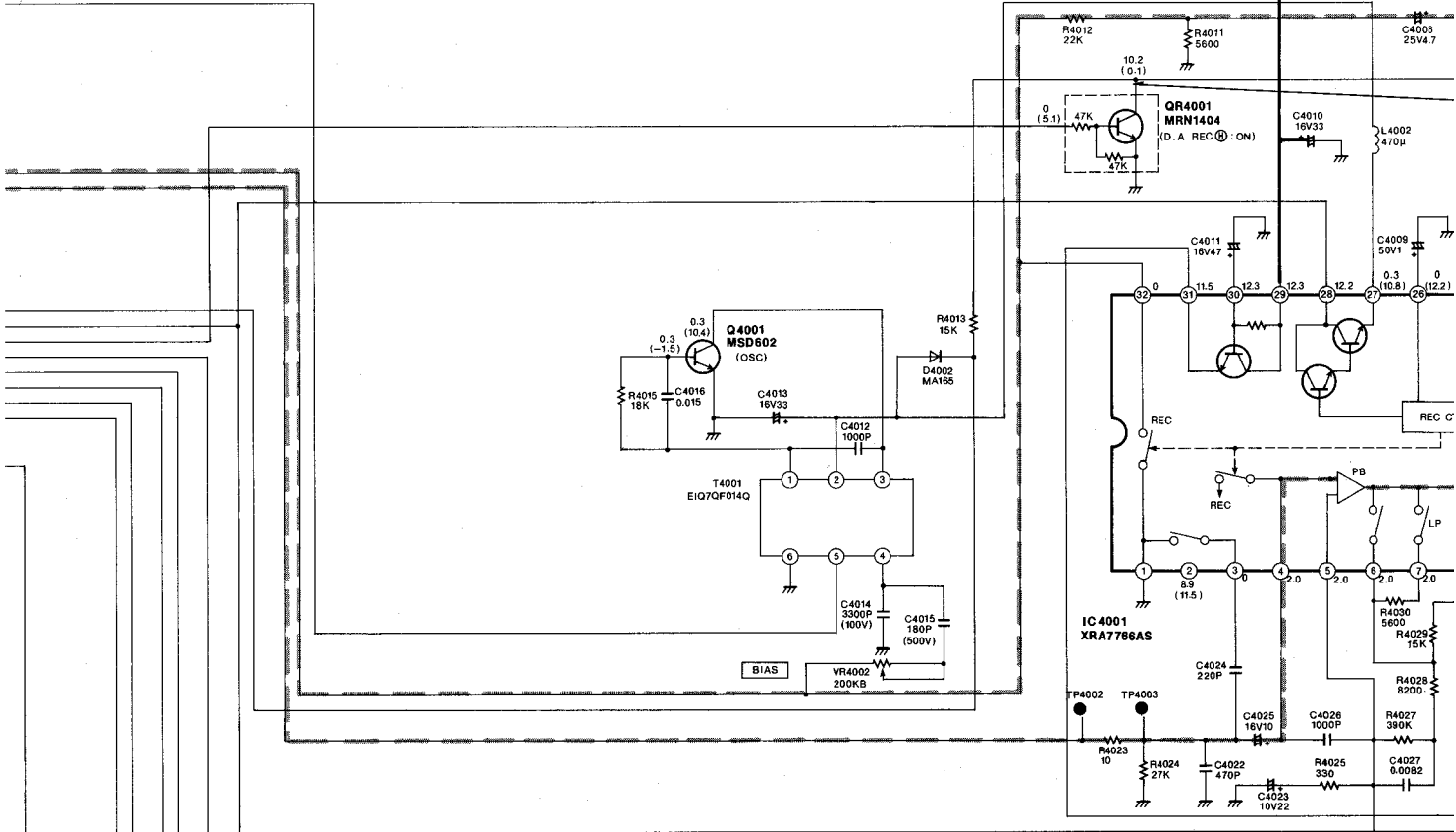
QR3009 MRN1404 (D. REC ⊕ ON)

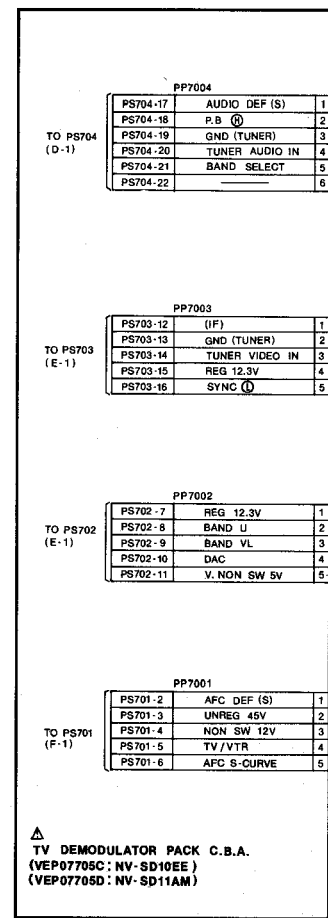
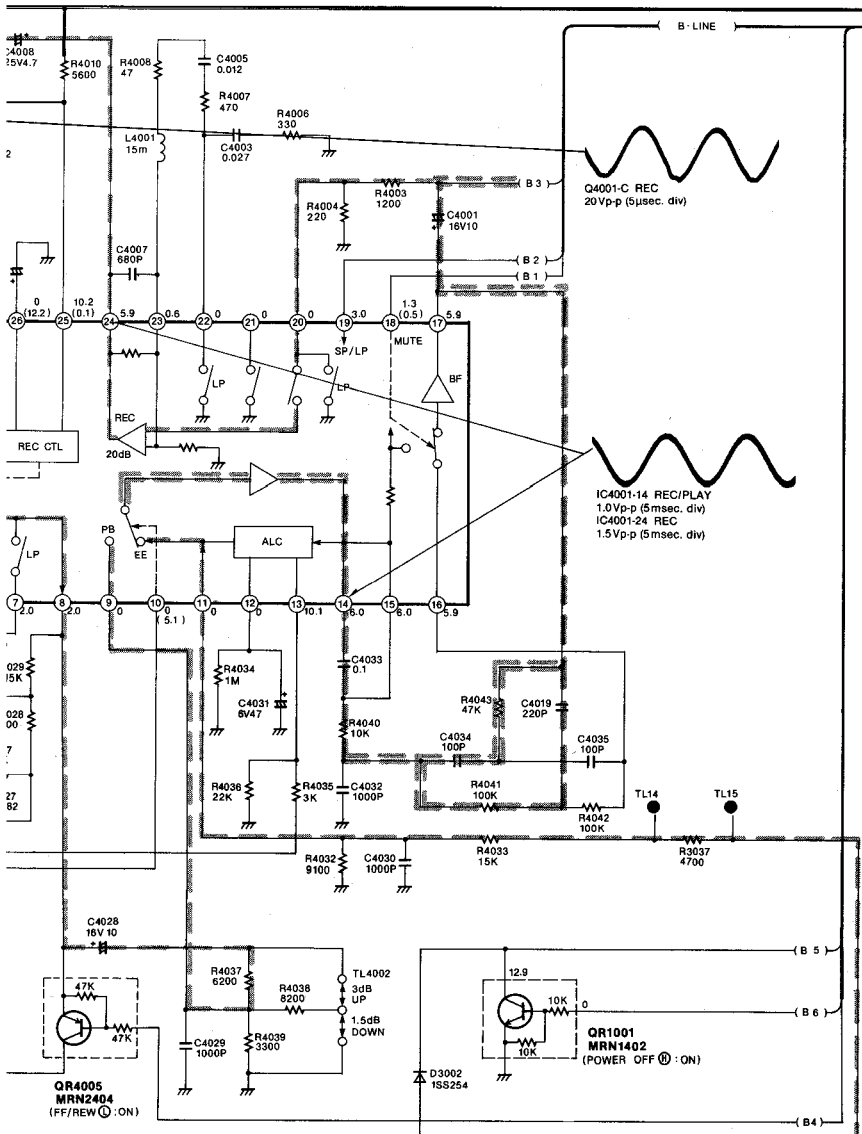
QR3005 MRN2402 (V. EE ⊕ ON)

A-LINE

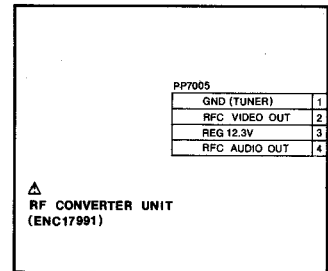
(A11)

(A16)

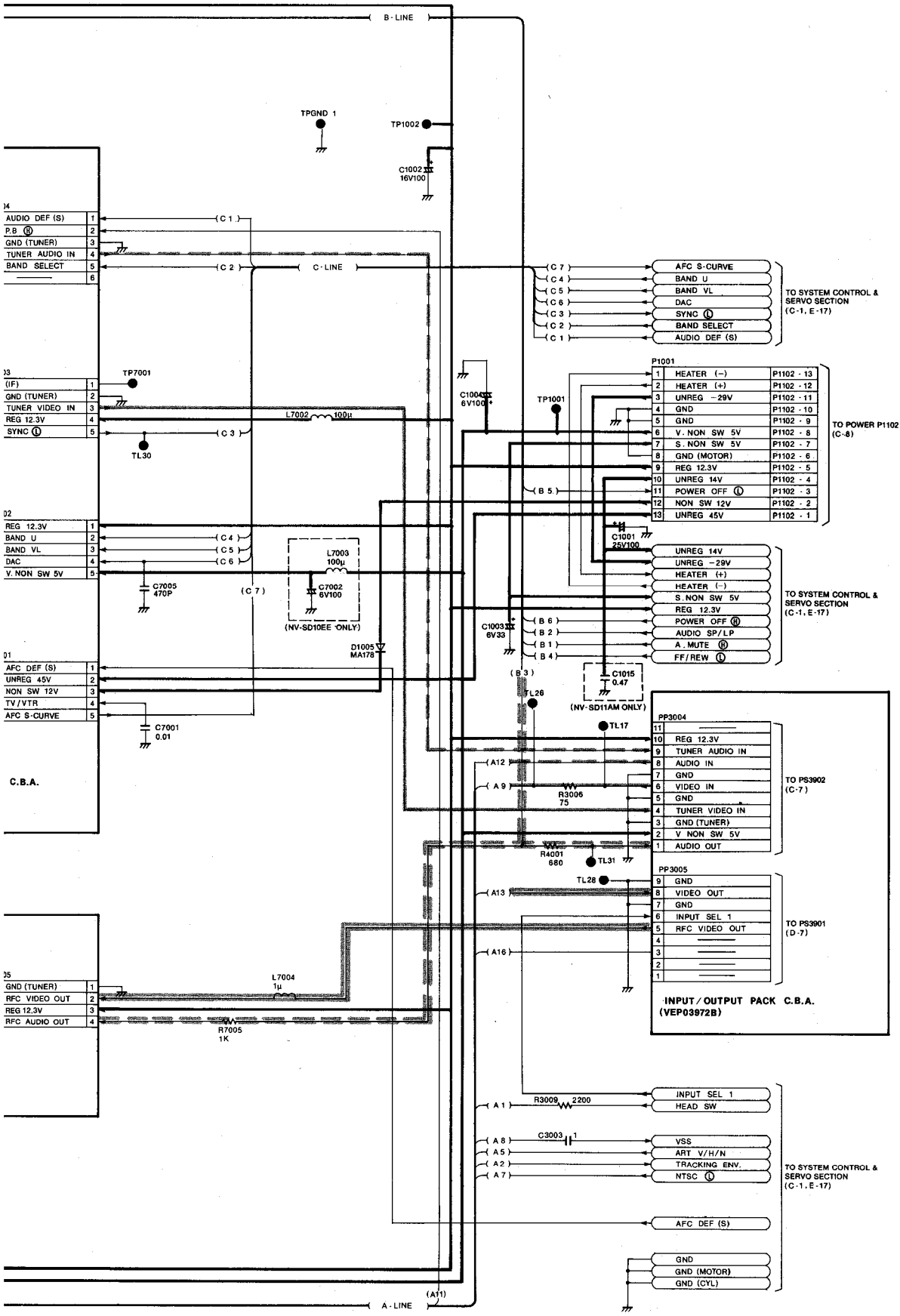




TV DEMODULATOR PACK C.B.A.
 (VEP07705C: NV-SD10EE)
 (VEP07705D: NV-SD11AM)



RF CONVERTER UNIT
 (ENC17991)



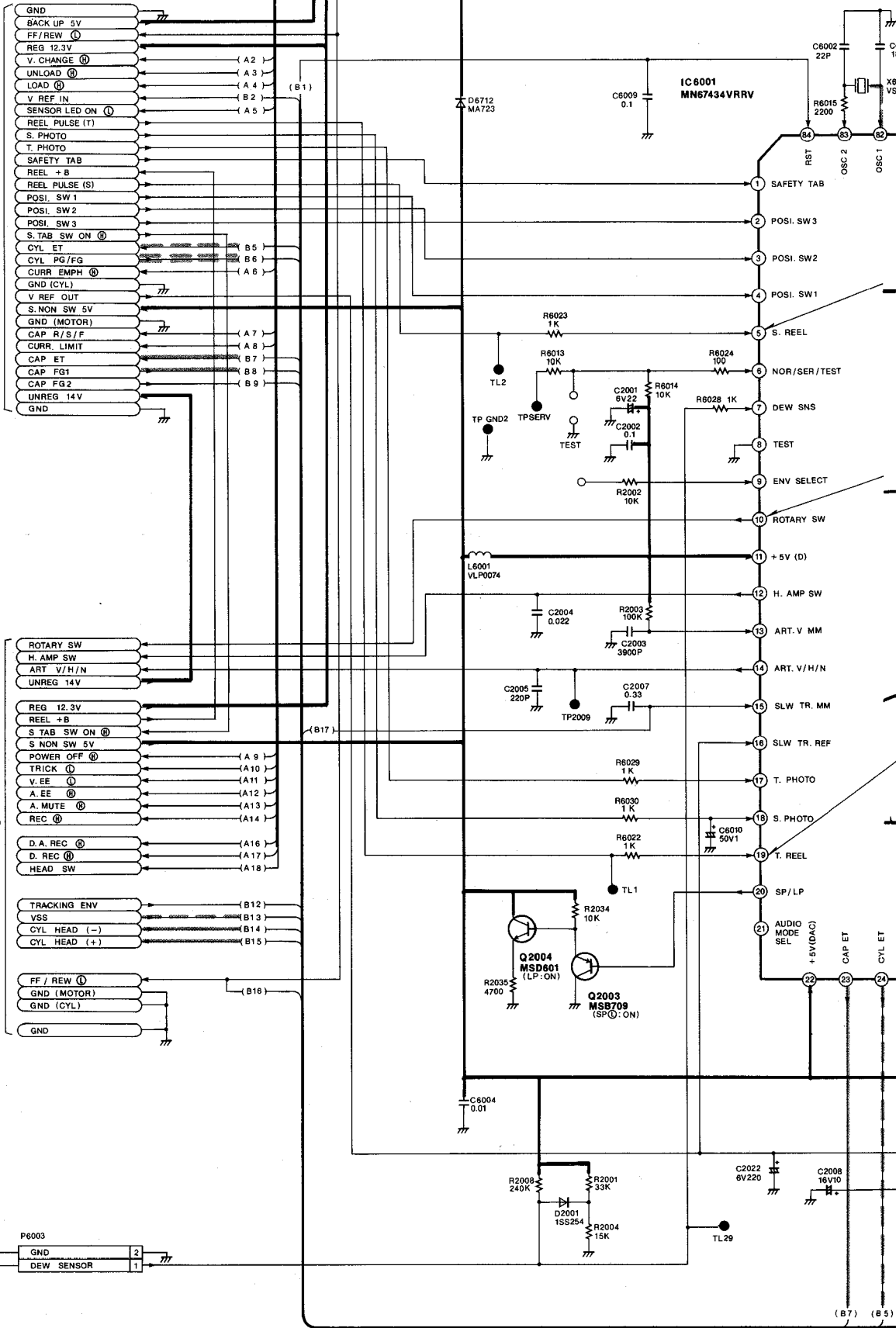
ON THIS DIAGRAM IS PLAYBACK MODE

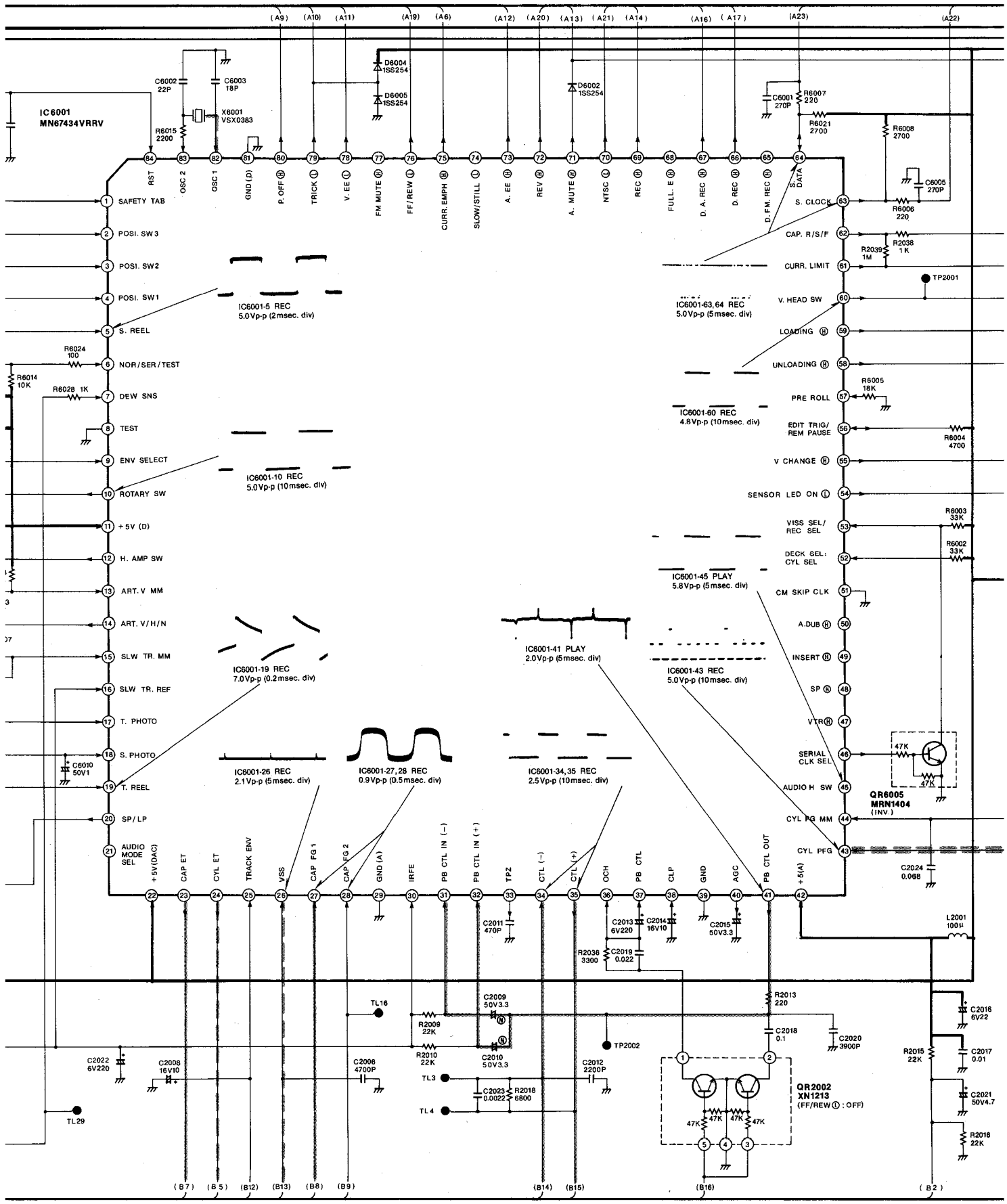
• LINE IN SIGNAL LEVEL... -10dB 1kHz

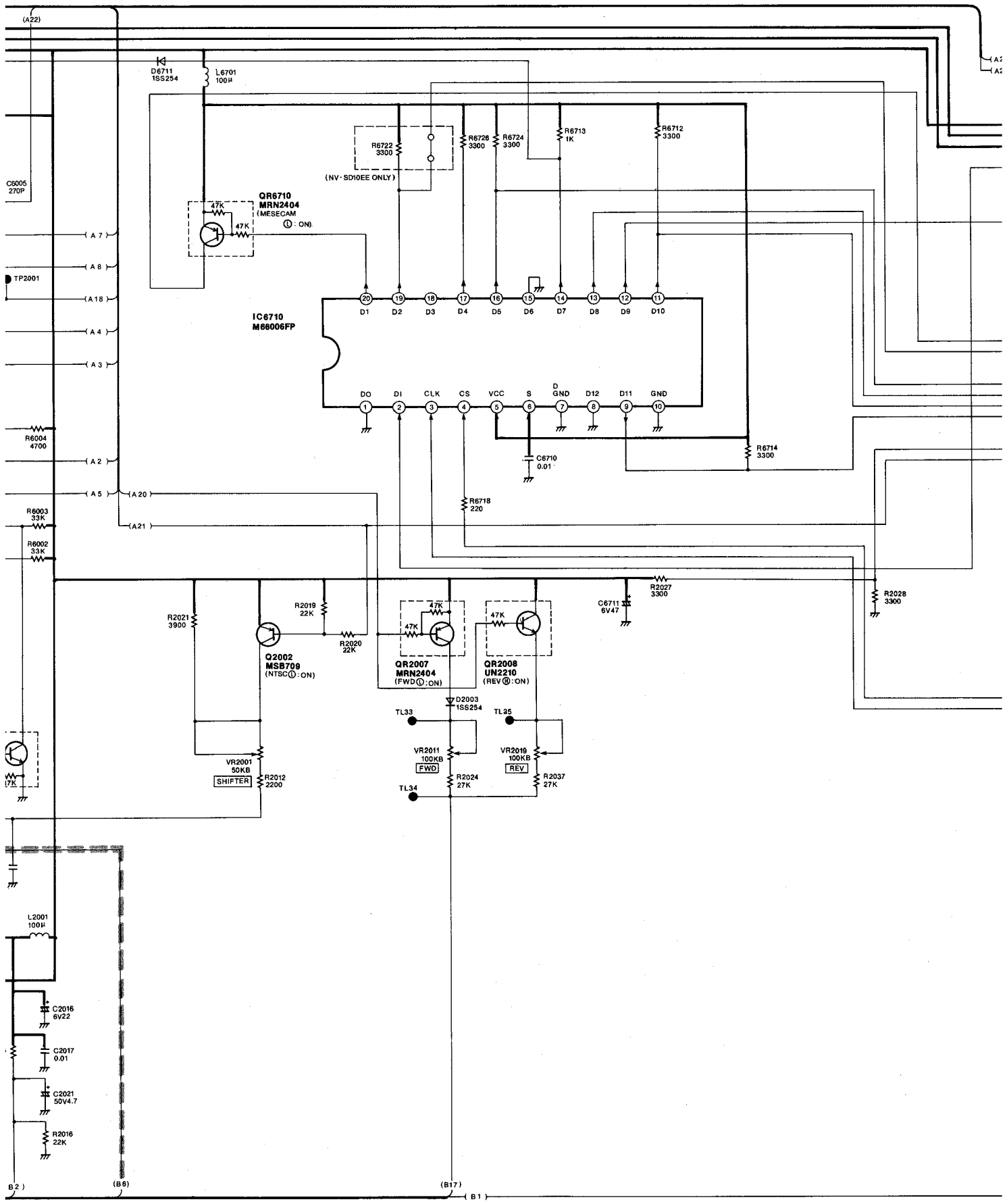
NOTE: DO NOT USE ANY PART NUMBER SHOWN ON THIS SCHEMATIC DIAGRAM FOR ORDERING. WHEN YOU ORDER A PART, PLEASE REFER TO PARTS LIST

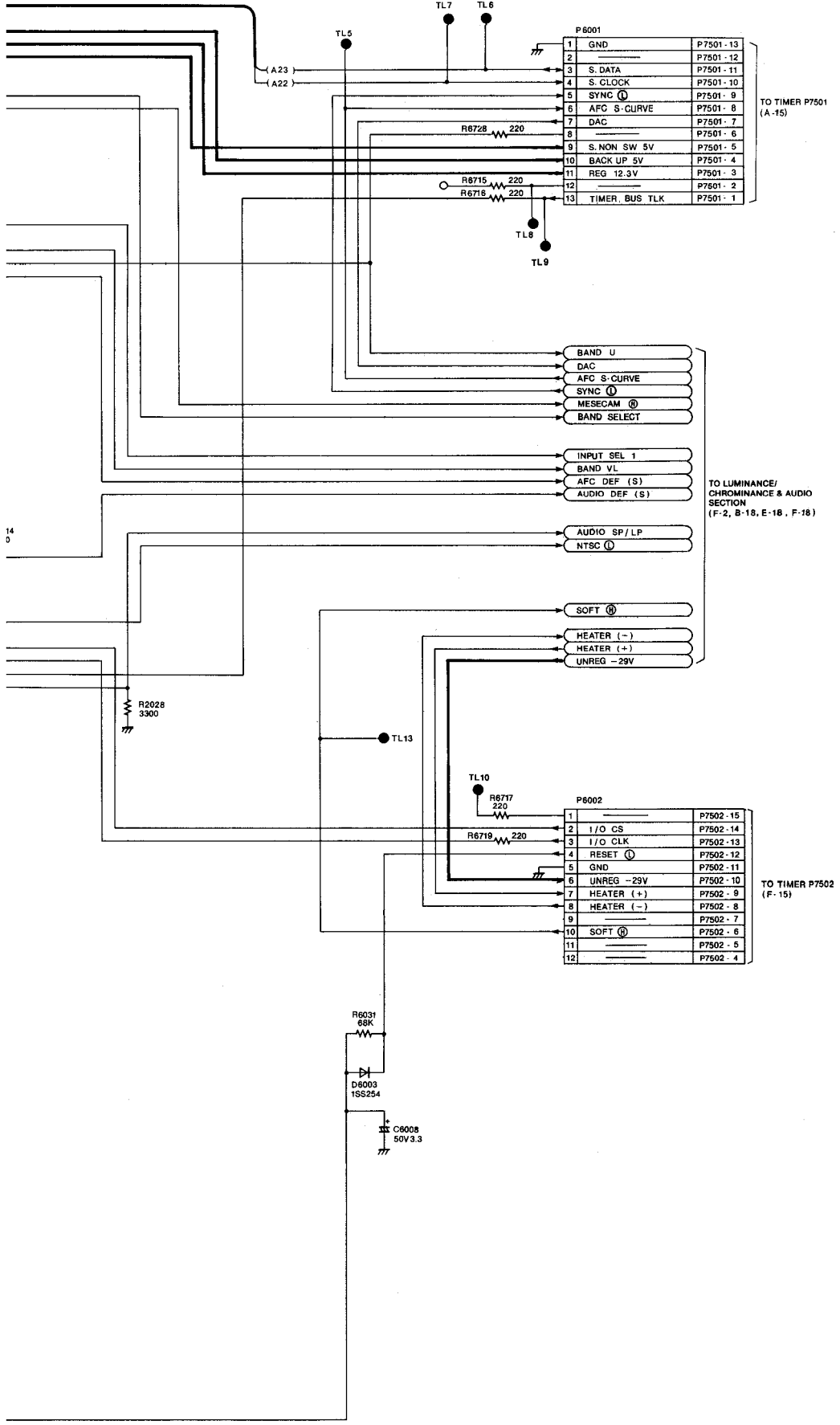
TO SUB SERVO SECTION
(B-5)

TO LUMINANCE/
CHROMINANCE & AUDIO
SECTION
(F-2, B-18, E-18, F-18)









P6001

1	GND	P7501-13
2		P7501-12
3	S. DATA	P7501-11
4	S. CLOCK	P7501-10
5	SYNC (Ⓢ)	P7501-9
6	AFC S-CURVE	P7501-8
7	DAC	P7501-7
8		P7501-6
9	S. NON SW 5V	P7501-5
10	BACK UP 5V	P7501-4
11	REG 12.3V	P7501-3
12		P7501-2
13	TIMER. BUS. TLK.	P7501-1

TO TIMER P7501
(A-15)

- BAND U
- DAC
- AFC S-CURVE
- SYNC (Ⓢ)
- MESECAM (Ⓢ)
- BAND SELECT

TO LUMINANCE/
CHROMINANCE & AUDIO
SECTION
(F-2, B-18, E-18, F-18)

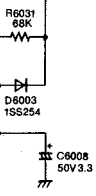
- INPUT SEL 1
- BAND VL
- AFC DEF (S)
- AUDIO DEF (S)
- AUDIO SP/LP
- NTSC (Ⓢ)

- SOFT (Ⓢ)
- HEATER (-)
- HEATER (+)
- UNREG -29V

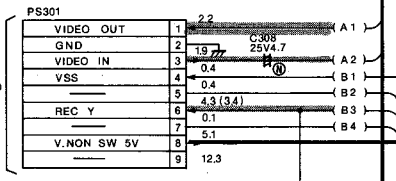
P6002

1		P7502-15
2	I/O CS	P7502-14
3	I/O CLK	P7502-13
4	RESET (Ⓢ)	P7502-12
5	GND	P7502-11
6	UNREG -29V	P7502-10
7	HEATER (+)	P7502-9
8	HEATER (-)	P7502-8
9		P7502-7
10	SOFT (Ⓢ)	P7502-6
11		P7502-5
12		P7502-4

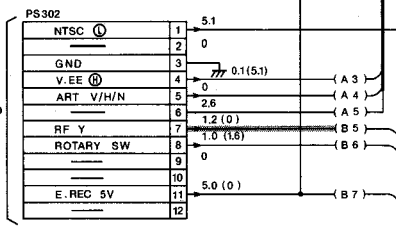
TO TIMER P7502
(F-15)



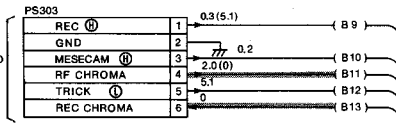
14
0



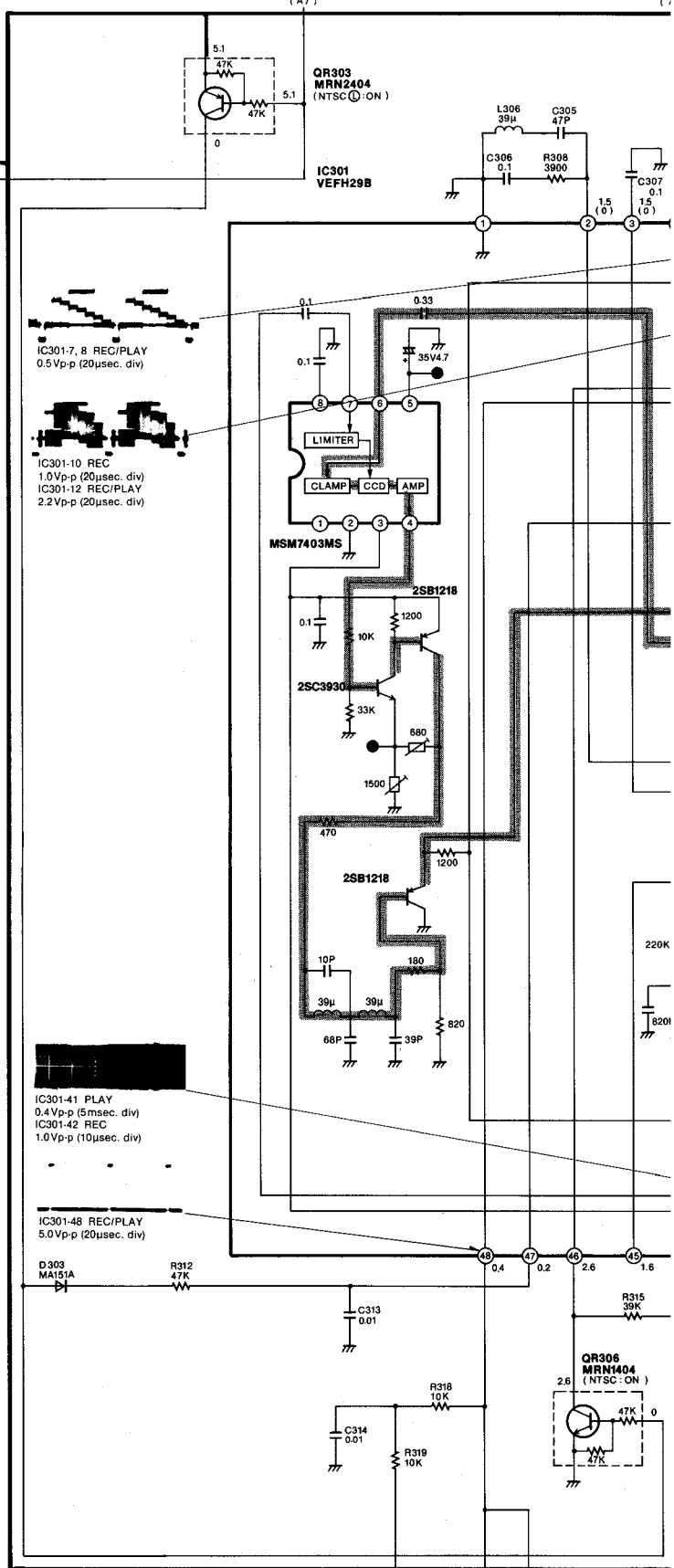
TO LUMINANCE/
CHROMINANCE & AUDIO
SECTION PP3001
(A-2)

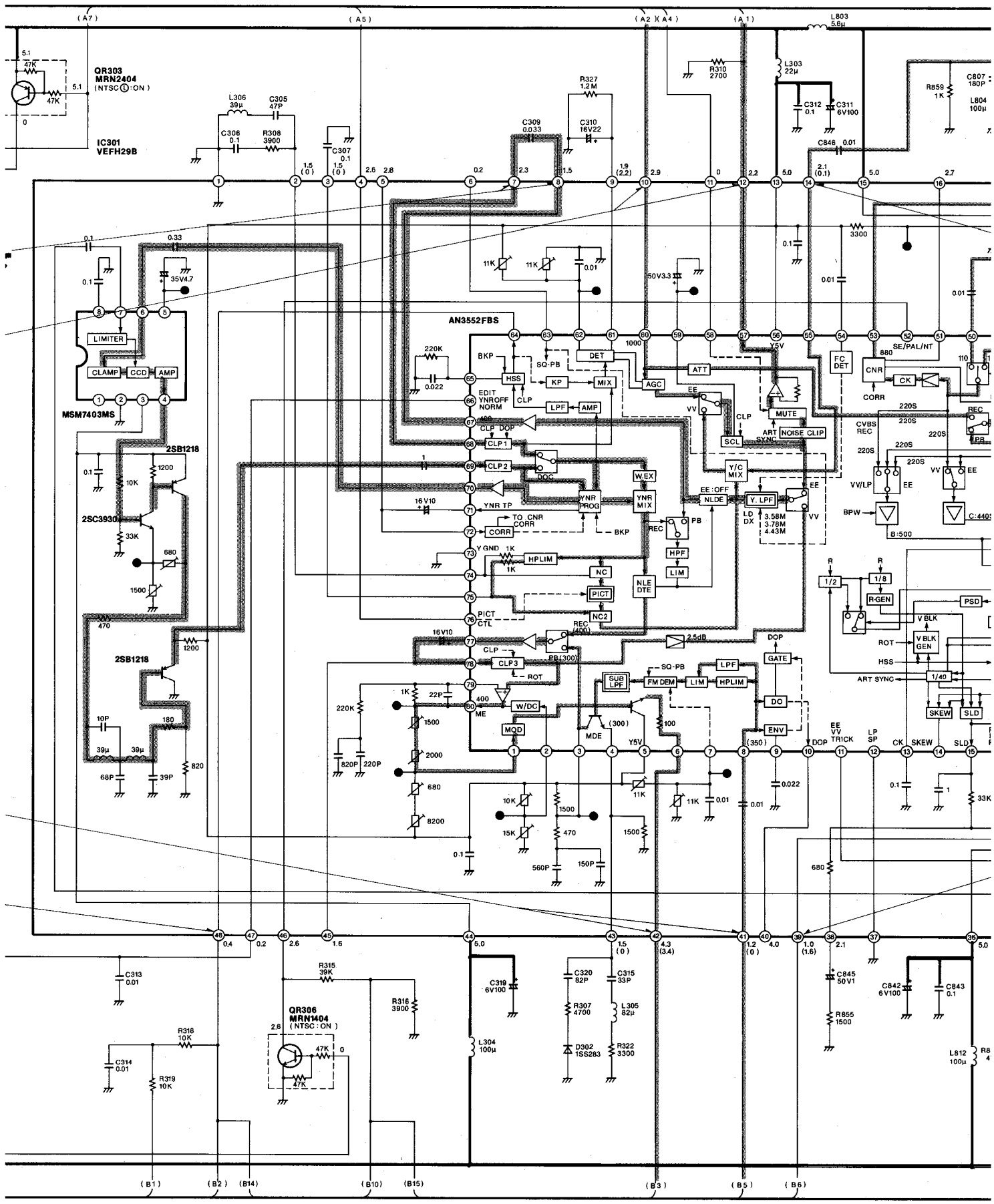


TO LUMINANCE/
CHROMINANCE & AUDIO
SECTION PP3002
(B-2)



TO LUMINANCE/
CHROMINANCE & AUDIO
SECTION PP3003
(C-2)





QR303
MRN2404
(NTSC ON)

IC301
VEFH29B

AN3552FBS

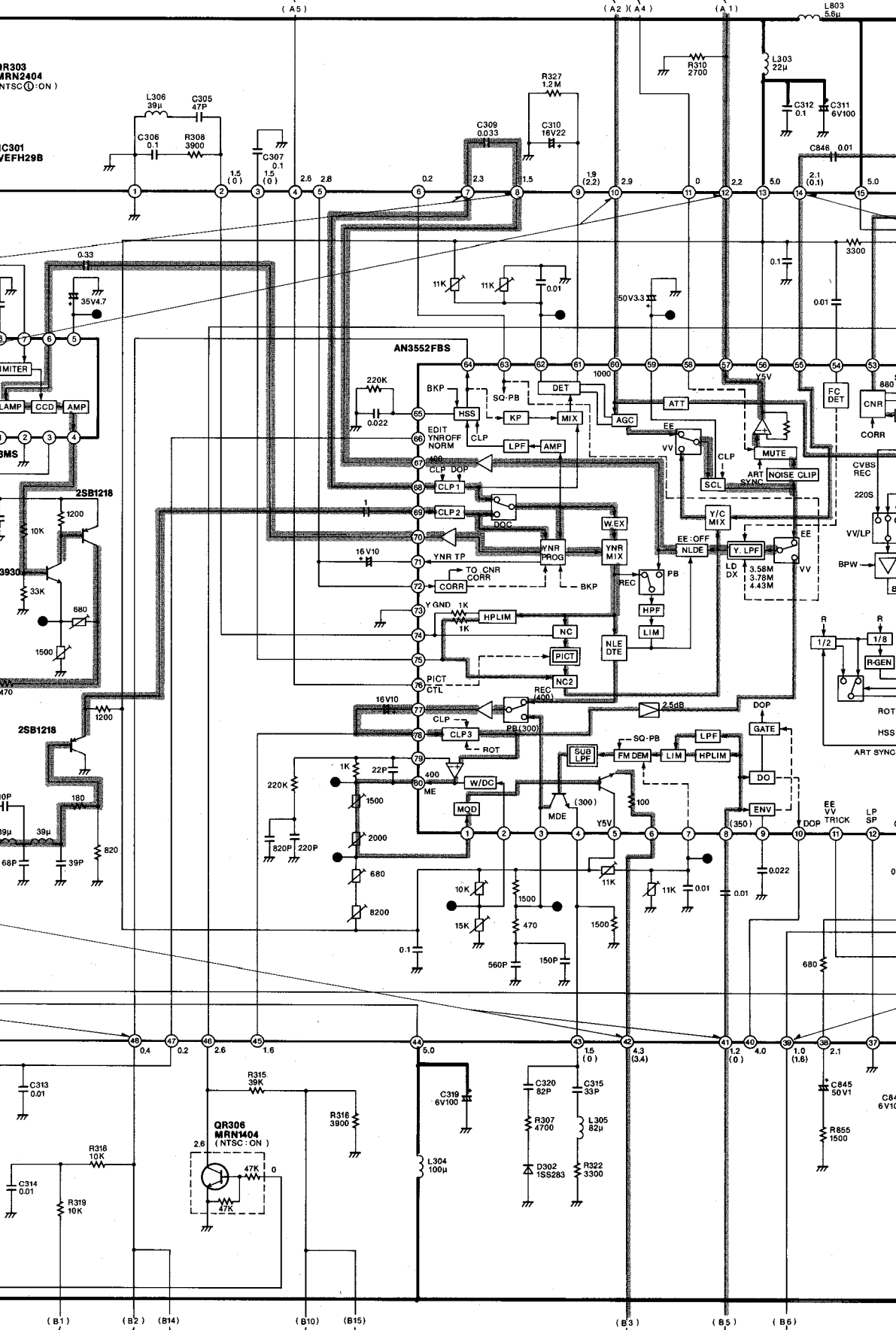
MSM7403MS

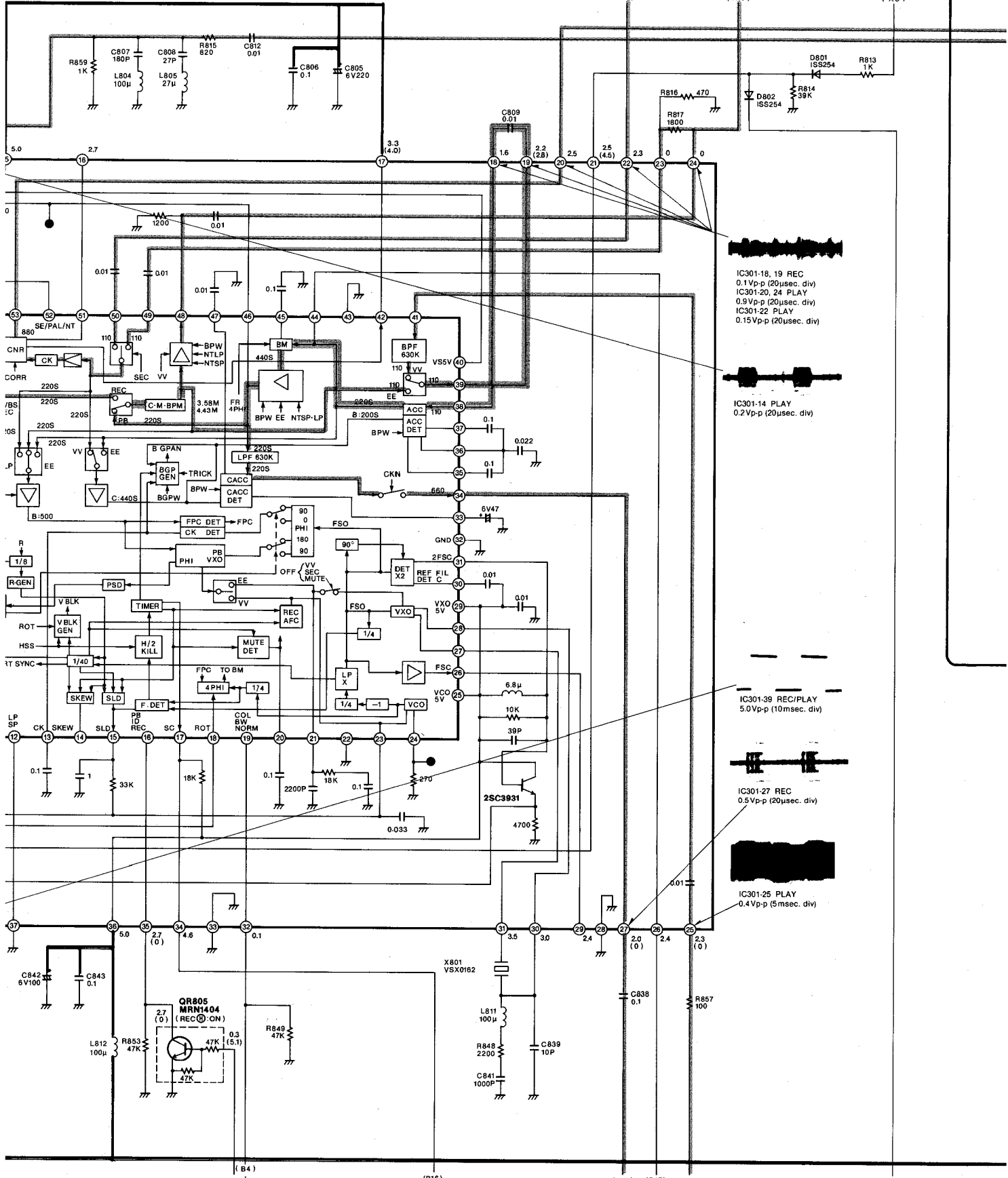
2SB1218

2SC3930

2SB1218

QR306
MRN1404
(NTSC ON)





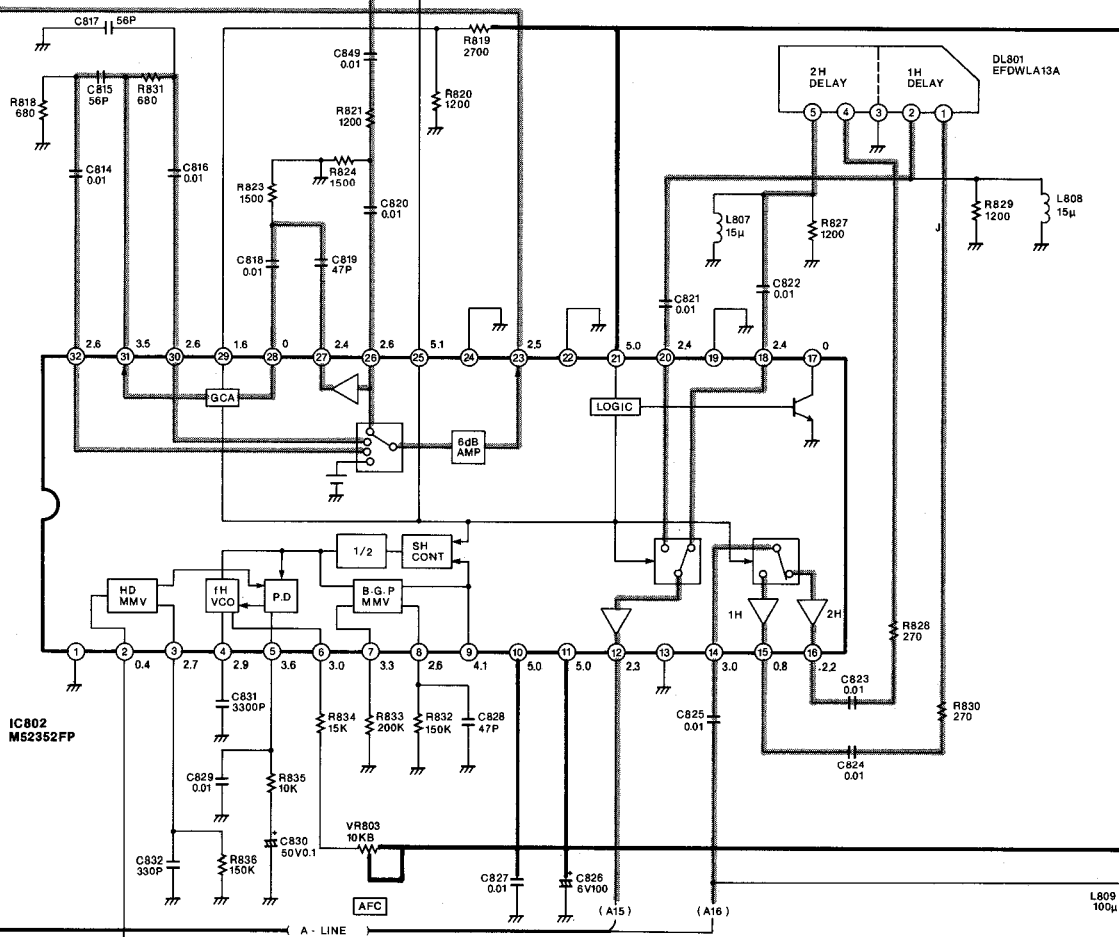
IC301-18, 19 REC
0.1Vp-p (20usec. div)
IC301-20, 24 PLAY
0.9Vp-p (20usec. div)
IC301-22 PLAY
0.15Vp-p (20usec. div)

IC301-14 PLAY
0.2Vp-p (20usec. div)

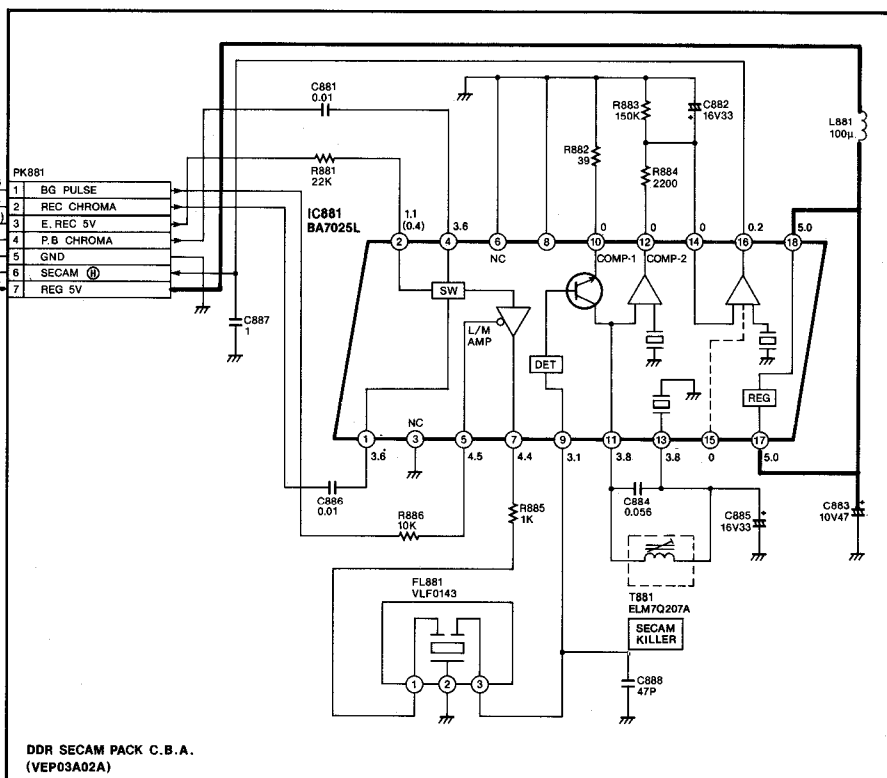
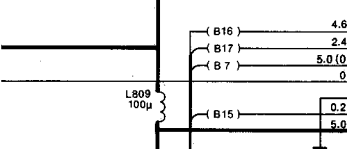
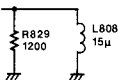
IC301-39 REC/PLAY
5.0Vp-p (10msec. div)

IC301-27 REC
0.5Vp-p (20usec. div)

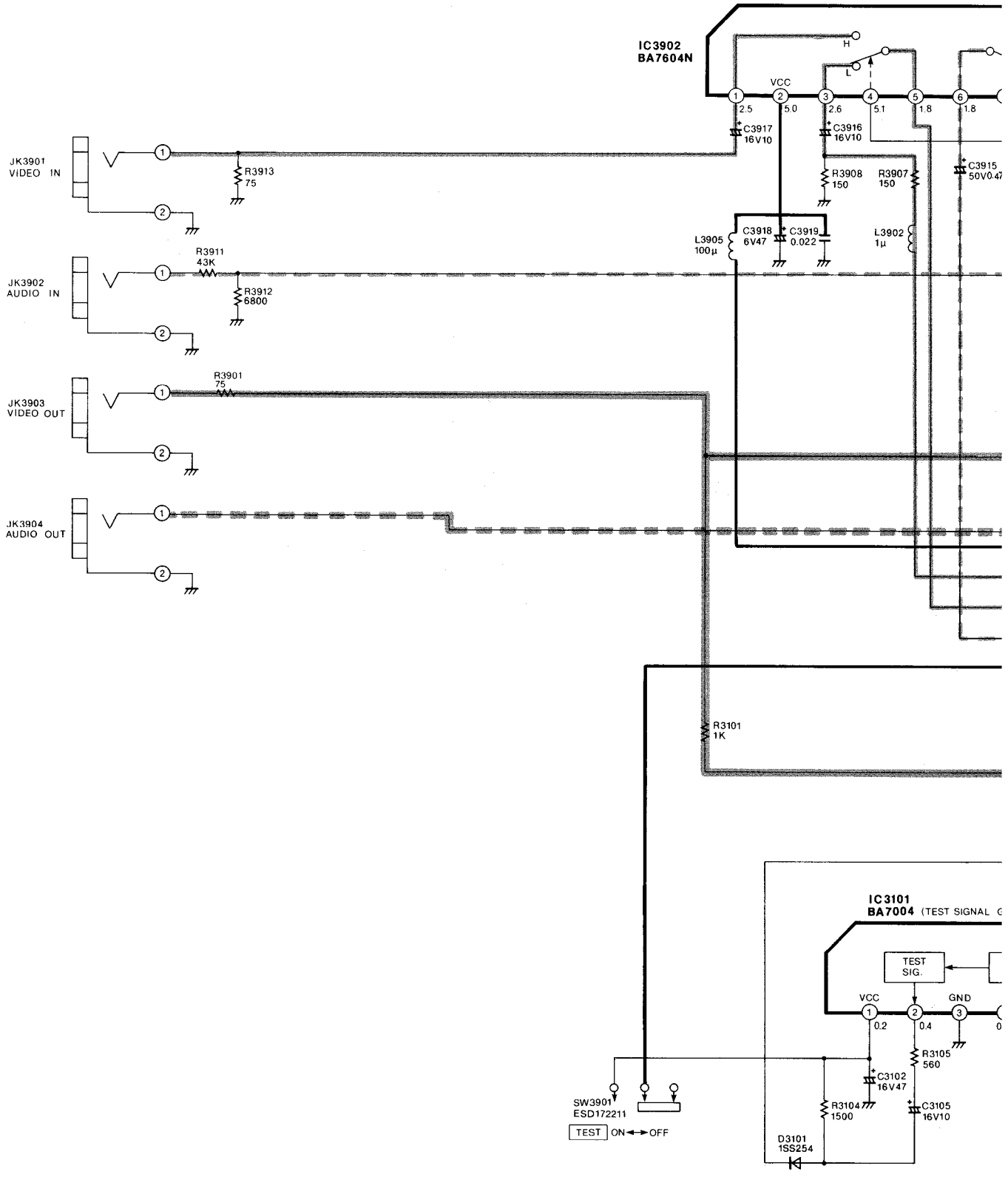
IC301-25 PLAY
0.4Vp-p (5msec. div)

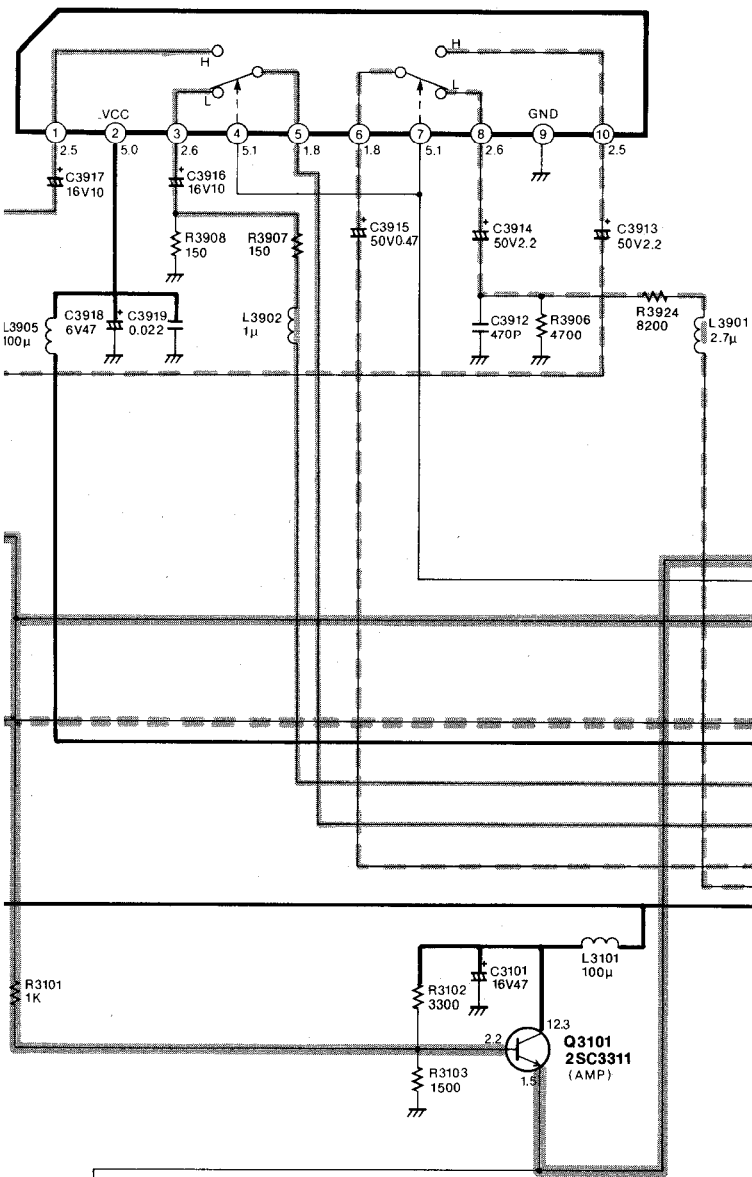


(B16)	4.8
(B17)	2.4
(B7)	5.0(10)
(B7)	0
(B7)	0
(B15)	0.2
(B15)	5.0
(B15)	7



NOTE: THE MEASUREMENT MODE OF THE DC VOLTAGE IN THE BRACKETS () ON THIS DIAGRAM IS RECORD MODE WITH PAL COLOUR SIGNAL.
THE MEASUREMENT MODE OF THE DC VOLTAGE OUT OF THE BRACKETS ON THIS DIAGRAM IS PLAYBACK MODE WITH PAL COLOUR SIGNAL.





PS3901-5 REC/PLAY
1.1 Vp-p (20µsec. div)
PS3901-8 REC/PLAY
2.2 Vp-p (20µsec. div)
PS3902-6 REC
0.5 Vp-p (20µsec. div)

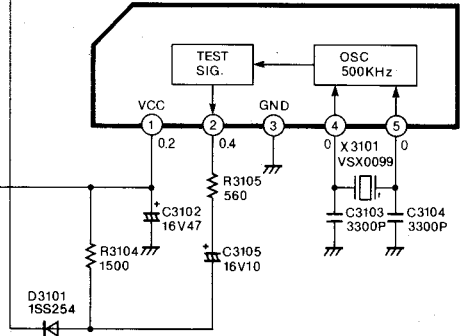
0	PS3901
1	_____
2	_____
0.1	_____
(5.0)	_____
3	_____
0.1	_____
4	_____
1.5	_____
5	RFC VIDEO
5.1	_____
6	INPUT SEL 1
7	GND
8	VIDEO OUT
9	GND

TO LUMINANCE/
CHROMINANCE & AUDIO
SECTION PP3005
(C-18)

0	PS3902
1	AUDIO OUT
5.0	_____
2	NON SW 5V
3	GND (TUNER)
2.8	_____
4	TUNER VIDEO IN
5	GND
1.8	_____
6	VIDEO IN
7	GND
8	AUDIO IN
0	_____
9	TUNER AUDIO IN
12.3	_____
10	REG 12.3V
0	_____
(0.1)	_____
11	_____

TO LUMINANCE/
CHROMINANCE & AUDIO
SECTION PP3004
(D-18)

**IC 3101
BA7004 (TEST SIGNAL GENERATOR)**



TO LUMINANCE/
CHROMINANCE & AUDIO
SECTION P3001
(D-2)

P3001-14	REC Y	1
P3001-13	D. REC 12V	2
P3001-12	REC C	3
P3001-11	GND	4
P3001-10	RF Y	5
P3001-9	E. REC 5V	6
P3001-8	RF C	7
P3001-7	H. AMP SW	8
P3001-6	HEAD SW	9
P3001-5	TRACKING ENV.	10

P501-1 REC
1.0Vp-p (2msec. div)

P501-3 REC
0.5Vp-p (20µsec. div)

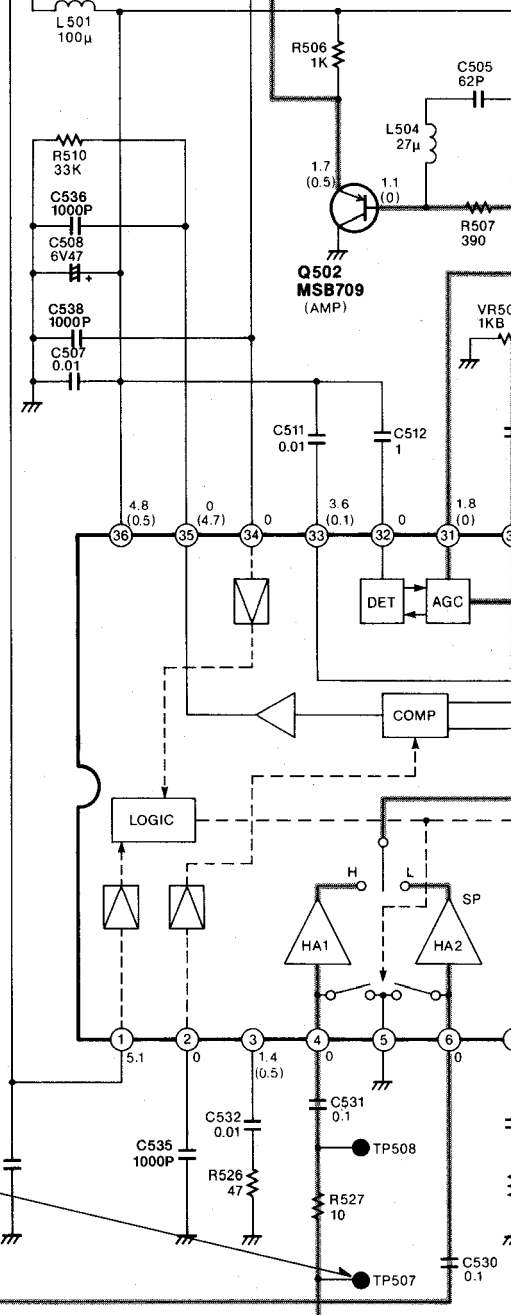
P501-5 PLAY
0.2Vp-p (10msec. div)
P501-7 PLAY
0.4Vp-p (10msec. div)

P501-9 REC
5.0Vp-p (5msec. div)

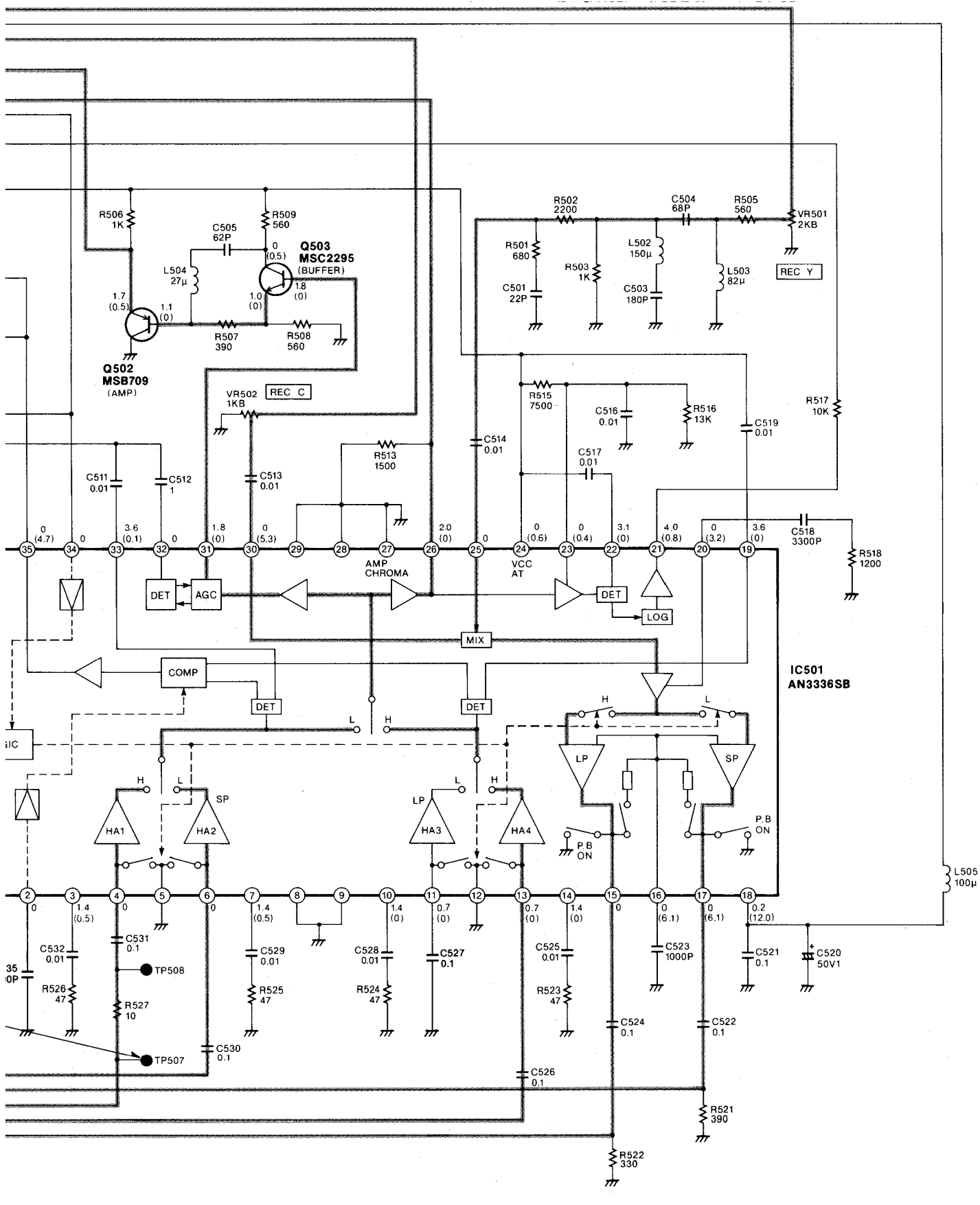
TP507 REC
0.21Vp-p (2msec. div)

TO CYLINDER VIDEO
HEAD P2901

P502		
GND	1	
L	2	
COM	3	
R	4	
L'	5	
COM'	6	
	7	
GND	8	



NOTE: THE MEASUREMENT MODE OF THE DC VOLTAGE IN THE BRACKETS () ON THIS
WITH PAL COLOUR SIGNAL.
THE MEASUREMENT MODE OF THE DC VOLTAGE OUT OF THE BRACKETS ON THIS I
WITH PAL COLOUR SIGNAL.

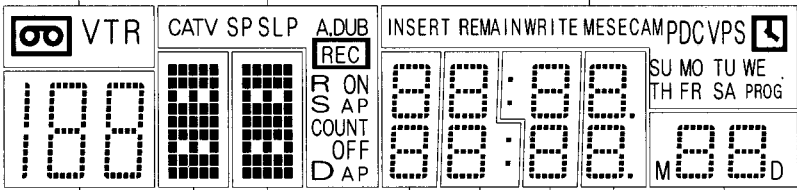


DP7501 VSL0271A

4G

5G

9G



8G

7G

6G

4G

3G

2G

1G

0G

F- 1 2 35 32 31 30 29 28 27 26 25 24 23 22 21 20 19 18 17 16 15 14 13 12 11 10 9 8 7 6 5 4 37

R7548 680

R7502 100K

D7501 MA3160

C7505 50V 10

C7502 0.01

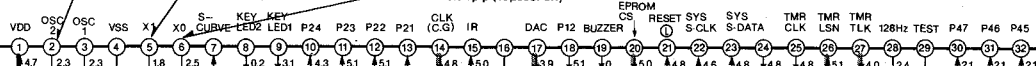
R7504 100

IC7501 MN107164VTSV

IC7501-2 STOP 2.8Vp-p (10µsec. div)

IC7501-5 STOP 2.0Vp-p (10µsec. div)

IC7501-6 STOP 5.0Vp-p (10µsec. div)



VPP P50 P51 P52 P53 P54 P55 P56 P57 P60 P61 P62 P63 P64 P65 P66 P67 P70 P80 P81 P82 P83 P84 P85 P86 P87 P40 P41 P42 P43 P44

VDD OSC 2 OSC 1 VSS X1 X0 S-CURVE LED2 LED1 P24 P23 P22 P21 CLK (C.G) IR DAC P12 BUZZER CS EPROM RESET SYS S-CLK SYS S-DATA TMR CLK TMR LSN TMR TLK 128Hz TEST P47 P46 P45

1 2 3 4 5 6 7 8 9 10 11 12 13 14 15 16 17 18 19 20 21 22 23 24 25 26 27 28 29 30 31 32

4.7 2.3 2.3 1.8 2.5 0.2 0.3 4.3 5.1 5.1 4.8 4.5 3.9 5.1 0 5.0 4.8 4.6 4.8 4.8 5.1 4.0 2.4 2.1 2.1 2.1

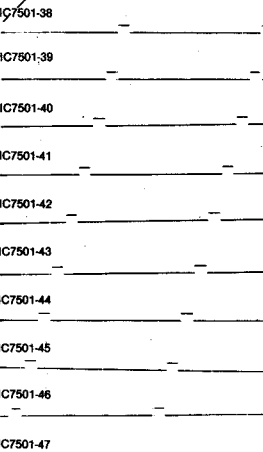
C7604 6P X7501 VSX0484 X7502 VSX0094 C7501 30P C7506 33P C7507 22P

C7503 0.1 (NV-SD11AM) ONLY

R7544 22K R7545 22K R7500 3300 R7549 220 R7550 1K R7519 3300

C7509 0.1 (NV-SD10EE) ONLY

(A13) (A5) (A6) (A7) (A8) (A18) (A14) (A2) (A9) (A17) (A11) (A10) (A1) (A12)



IC7501-38

IC7501-39

IC7501-40

IC7501-41

IC7501-42

IC7501-43

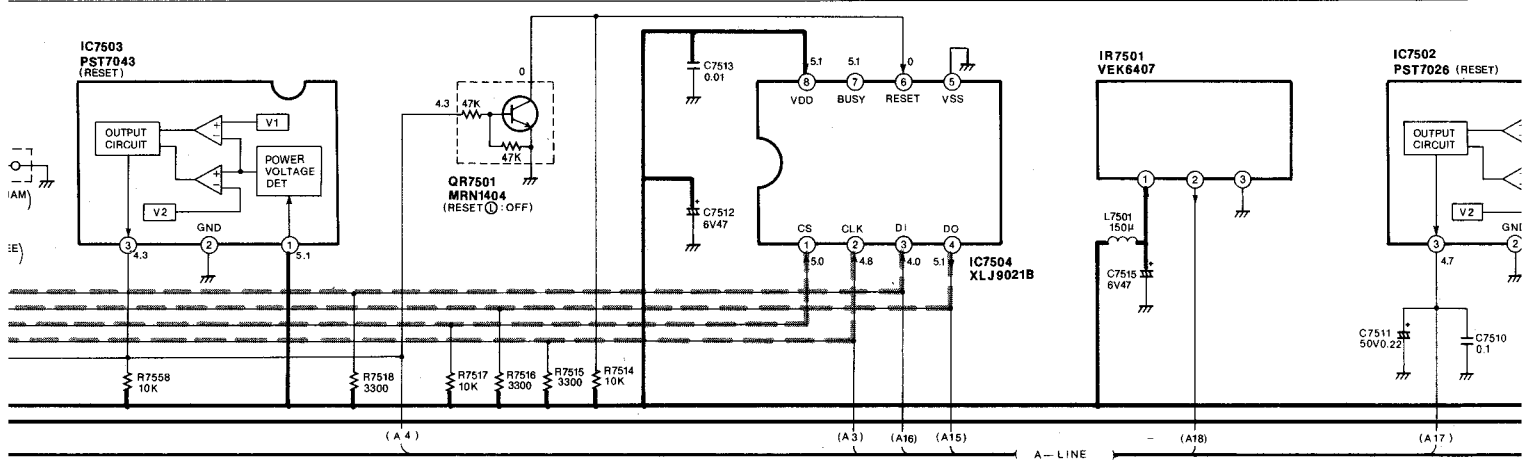
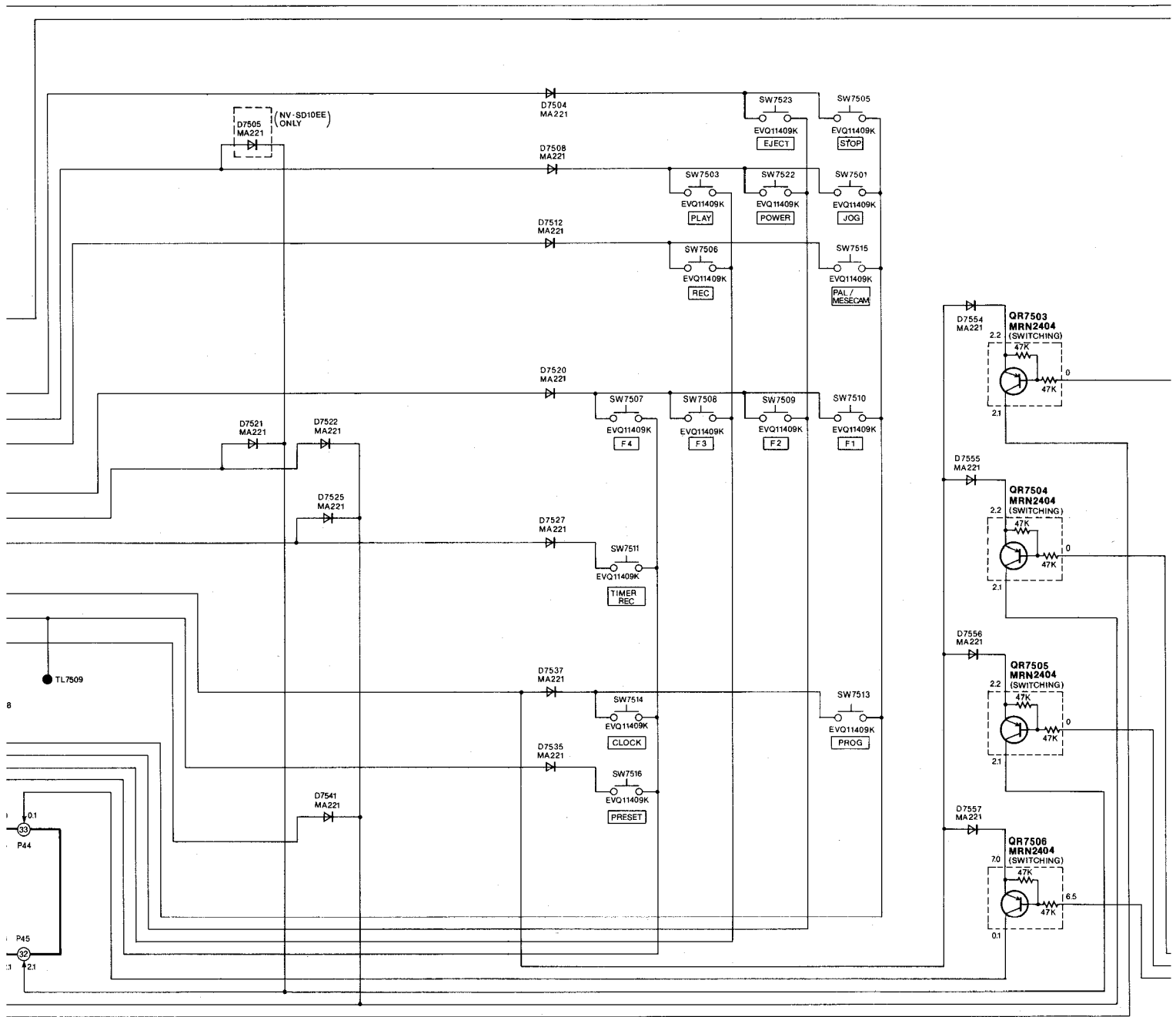
IC7501-44

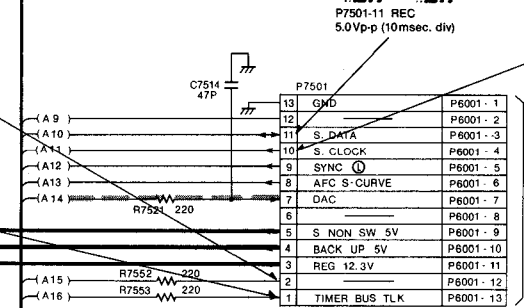
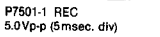
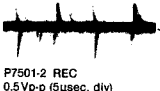
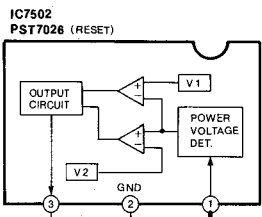
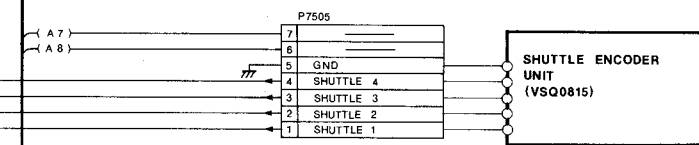
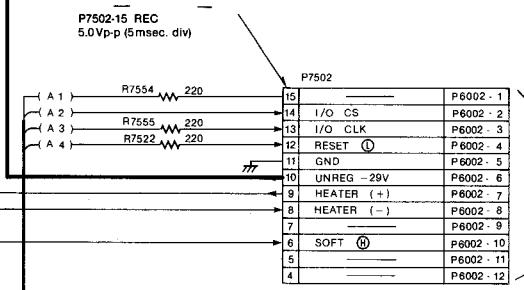
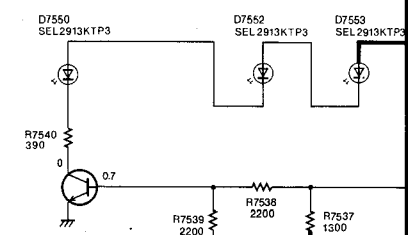
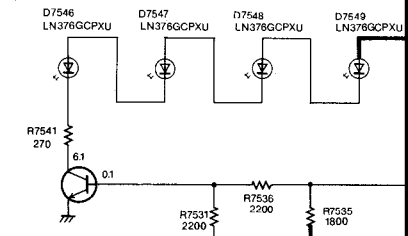
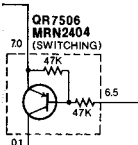
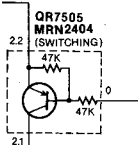
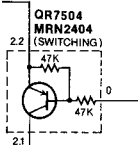
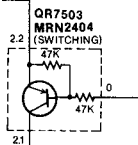
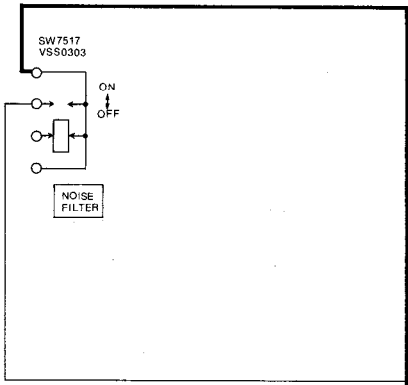
IC7501-45

IC7501-46

IC7501-47

IC: PS (RE





(A 17)

PS701			
PP 7001-1	AFC DEF (S)	2	4.1
PP 7001-2	UNREG 45V	3	44.7
PP 7001-3	NON SW 12V	4	11.4
PP 7001-4	TV/VTR	5	12.2
PP 7001-5		6	2.3

PS702			
PP 7002-1	REG 12.3V	7	12.1
PP 7002-2	BAND (U)	8	2.2
PP 7002-3	BAND (VL)	9	0
PP 7002-4	DAC	10	1.3
PP 7002-5	V. NON SW 5V	11	4.9

PS703			
PP 7003-1		12	0
PP 7003-2	GND	13	
PP 7003-3	TUNER VIDEO	14	2.8
PP 7003-4	REG 12.3V	15	11.9
PP 7003-5		16	0.1

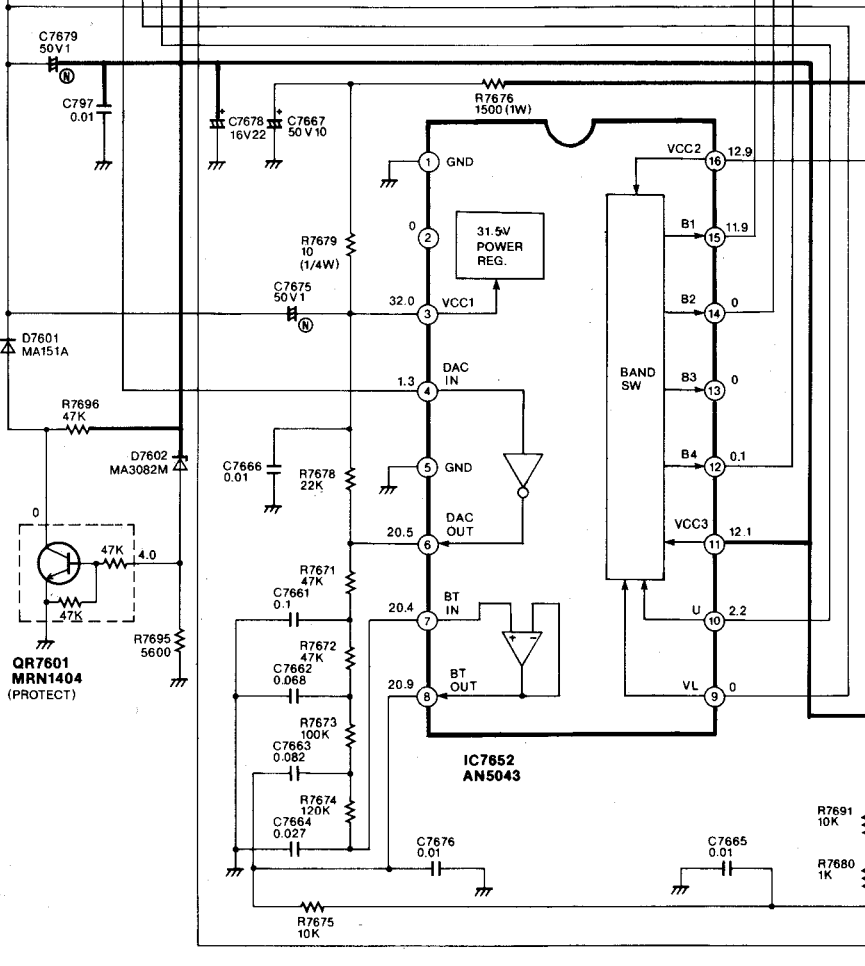
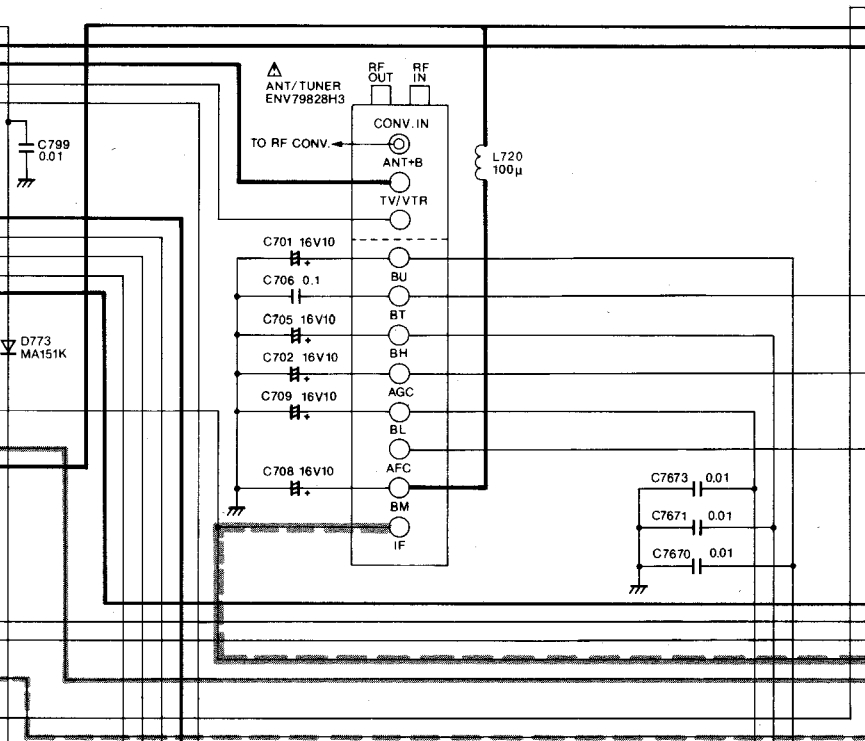
PS704			
PP 7004-1	AUDIO DEF (S)	17	0.1
PP 7004-2	P. B (U)	18	0
PP 7004-3	GND	19	
PP 7004-4	NORMAL AUDIO	20	0
PP 7004-5	PAL I (U)	21	4.8
PP 7004-6		22	5.0

TO AUDIO SECTION
PP7001
(D-14)

TO AUDIO SECTION
PP7002
(E-14)

TO AUDIO SECTION
PP7003
(F-14)

TO AUDIO SECTION
PP7004
(F-14)



R7691 10K
R7680 1K

